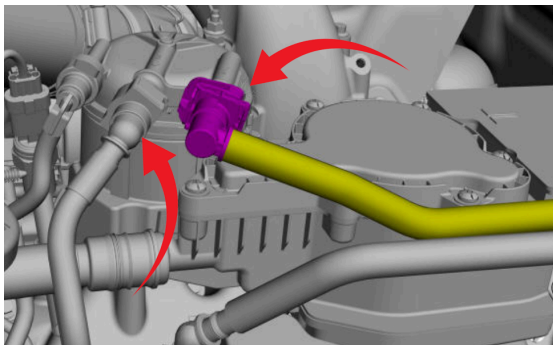




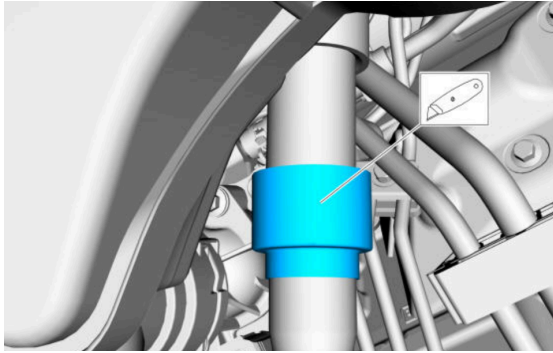
# Powerstroke 6.7L 2011-2023 CCV Delete Kit

## General Installation Guide

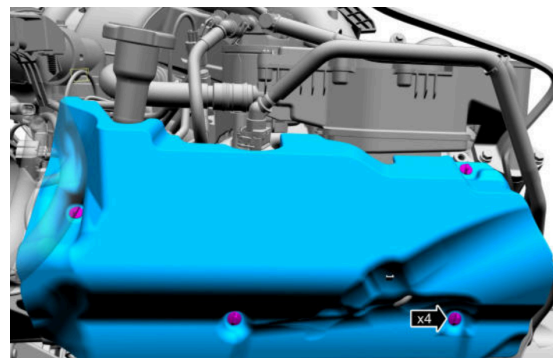
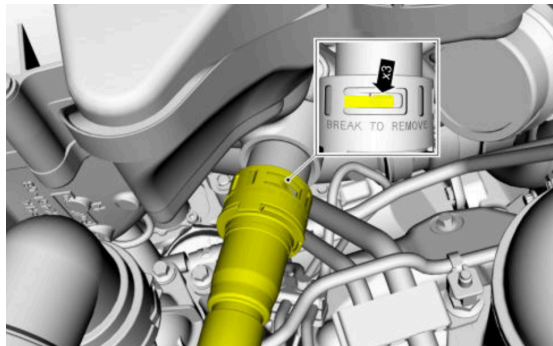
**Step 1:** Disconnect all batteries and release fuel system pressure by letting the truck sit for a sizable amount of time to let fuel pressure bleed off.



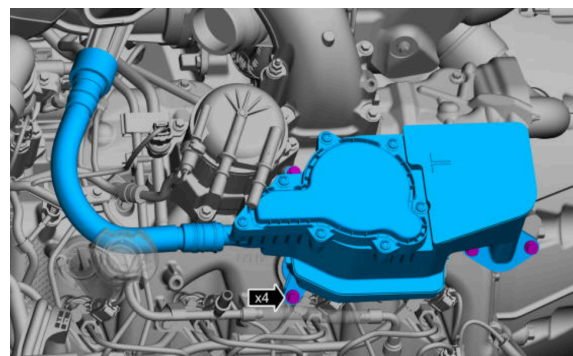
**Step 2:** Disconnect both fuel lines from fuel filter as shown



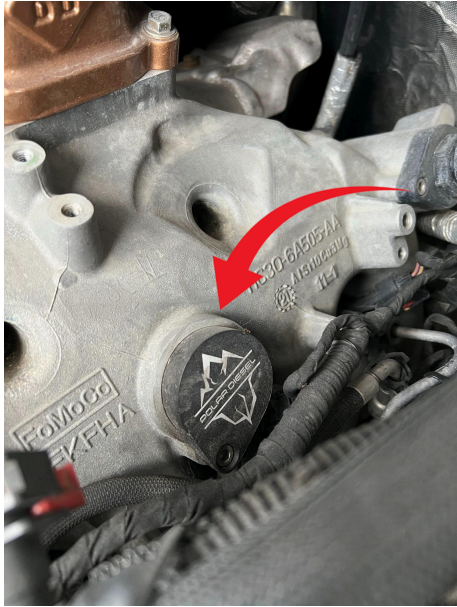
**Step 3:** Cut rubber sleeve off of crankcase vent oil separator outlet house & disconnect the hose.



**Step 4:** Remove engine sound shield.



**Step 5:** Remove the crankcase vent oil separator bolts and then remove the whole assembly with the hose.

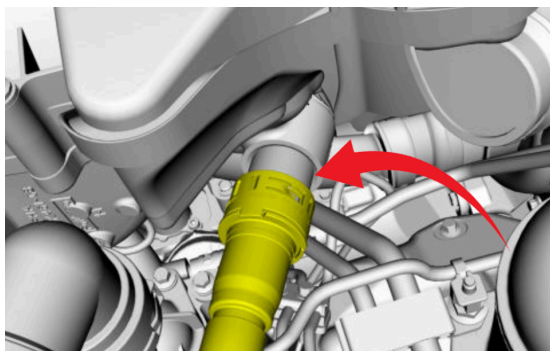


**Step 6:** Install supplied block off plate.



**Step 7:** Install vent tube connector, optional baffle block dependent on cab clearance. Route supplied hose off of the 90° fitting down towards the frame rail.

Be sure that the hose is not kinked and it is sloped downwards.



**Step 8:** Install the provided rubber cap in place of the hose that you removed earlier.

**Step 9:** Connect all fuel lines and prime the fuel system by cycling your ignition to the "ON" position for 30 seconds. Cycle the ignition 3 times.