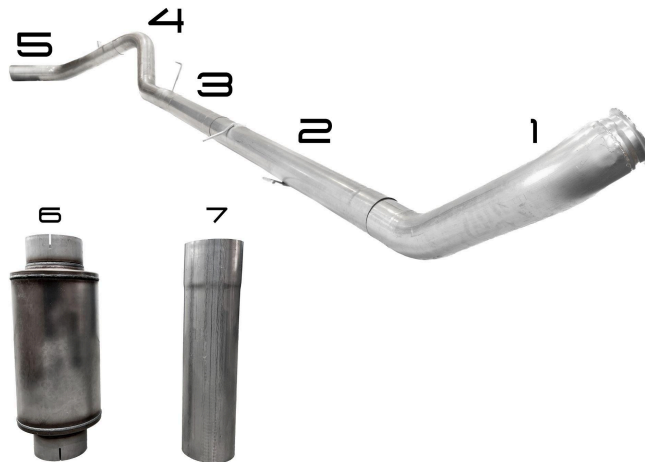




Cummins 6.7L 2013-2018 Exhaust Installation

General Installation Guide



Installation

Start with pipes 1 & 2, and then 5 & 4. Once those pipes are in, your mid section/muffler can be installed and completed.